



Best in dirt

www.earthworm.co.nz



About

At Earthworm we are passionate about providing the right attachment solution to suit your unique situation. You can trust us to provide advice and information on the options available to your machine and your job.

We've carefully selected the best performing, quality brands from around the world with the aim of providing New Zealand with best possible construction equipment attachments to get the job in hand done. Meanwhile you can deal with a family owned business with values and local knowledge you can trust

We know machinery inside and out and are committed to providing a top quality service. We are the only online supplier of attachments in New Zealand - we aim to make your equipment purchases easier and faster than they have ever been before.

Try us, we won't let you down.

We will efficiently assess your needs, your current equipment, and your future plans to provide you with a superior, long lasting attachment.

Purpose:

Building lifetime relationships with premium hydraulic attachments.

Core Values:

- + Making it easy
- + Going the extra mile
- + Getting a connection with people
- + Passionate about the industry
- + Keen and fast-paced
- + Sense of Humour
- + Loyalty to the Team
- + Ownership to completion
- + Honesty



Contents

p4/5



Auger Drive units

p6/7



Augers

p8/9



Plate Compactors

p10/11



Hydraulic Breakers

p12/13



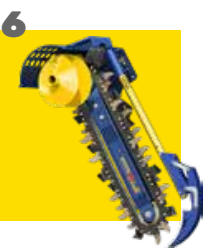
Screening Buckets

p14/15



Demolition

P16



Trenchers

P17



Hedge Trimmer

P18



Mulchers

P19



Screw Piling

P20



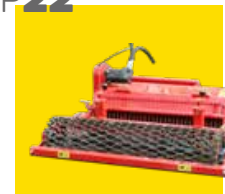
Skidsteer Attachments

P21



Grapple Saws

P22



Rotadairon

Auger Torque Drive Units

Established in Europe in 1998 by an expat Kiwi, Auger Torque has created a new standard in the earth auger market with the Earth Drill range. Auger Torque is now a truly global company since becoming part of the German attachments giant, Kinshofer. With many unique and performance enhancing features backed by the industry's best warranties the Auger Torque range continues to evolve and deliver benefits. Earthworm introduced the Auger Torque range to New Zealand in 2004 and has quickly developed into the market leader of innovation and the master of production

Features of our Earth Drills

FORGED HOOD EARS

Standard with all Earth Drills in areas that we know will take a lot of strain. All hood pins are locked for extra safety making it impossible for the hood to detach from your hitch.

INDUSTRY BEST WARRANTY

Auger Torque stand behind their product with an industry best 6 year warranty. The Non-dislodgement shaft is backed up with a lifetime parts replacement warranty.

HIGH QUALITY HYDRAULIC MOTORS

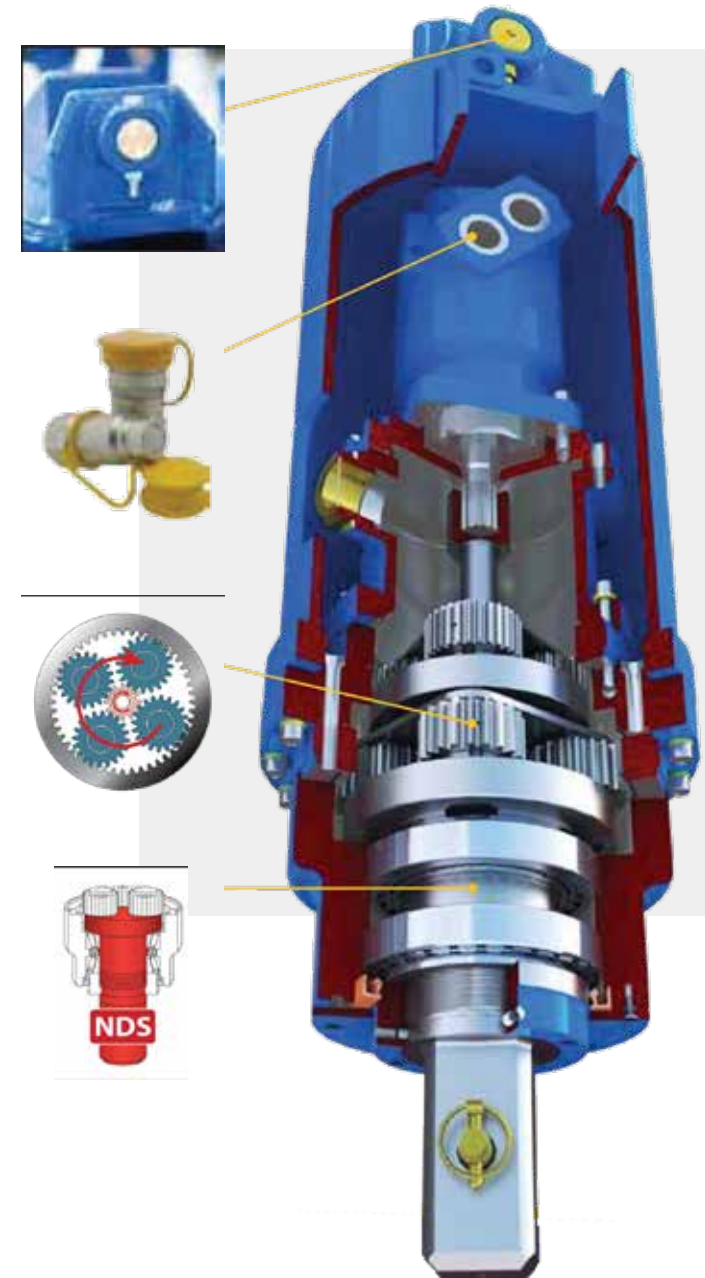
Auger Torque's huge buying power means we work closely with high quality suppliers to develop the most reliable attachments available on the market today.

EPICYCLIC GEARBOX

Torque is amplified by using the unique Auger Torque planetary gearbox. This system allows the motors output torque to be multiplied with extreme efficiency as well as ensuring the durability and reliability you need.

NON-DISLODEMENT SHAFT

Unique to Auger Torque, the Non-Dislodgement Shaft is a single piece drive shaft assembled top down and locked into the Earth Drill housing. This design guarantees that the shaft will never fall out, making for a safer work environment, not only for the operator but also any surrounding workers, a MUST-HAVE FEATURE.



AUGER DRIVES

We have ... Auger Torque's massive range ready to suit you. With over 20 models available and 16 on the shelf ready to go, we ensure you get the right drive to suit your application.



LARGE EXCAVATORS

21-45 TON PA AUGERS
300-2400MM

MIDI EXCAVATORS

6-7 TON S5 AUGERS
150-900MM

MICRO EXCAVATORS

1-2 TON S4 AUGERS
100MM-450MM



ACCESSORIES



ALIGNMENT MONITOR

Quick and easy, plug and play auger guidance system.



SCREW PILE ADAPTORS

Use your drive unit to drive screw piles with our custom built adaptors.



CRADLE HITCH

Eliminate auger swing, easily tip soil off and safely transport your auger.

Augers

HUB OPTIONS

Augers are available with all major standard hubs on the market, including: 2", 2.5", 3" and 4" Hex 50mm, 2" and 65mm Round 57mm, 75mm, 100mm, 110mm and 130mm Square ... to name but a few.

HEAVY DUTY TUBE

We know that our Augers can expect a tough life so we only use the highest grade steel and vary our tube size according to machine size and application. Our Augers have a reputation of being the toughest on the market.

SHALLOW PITCH FLIGHTS

By working with and more importantly listening to operators feedback we have developed the perfect pitch for our flights. It will cut at its maximum efficiency and, most importantly the spoil will stay on your Auger when you remove it from the hole.

CONSTANT SPIRAL CUT

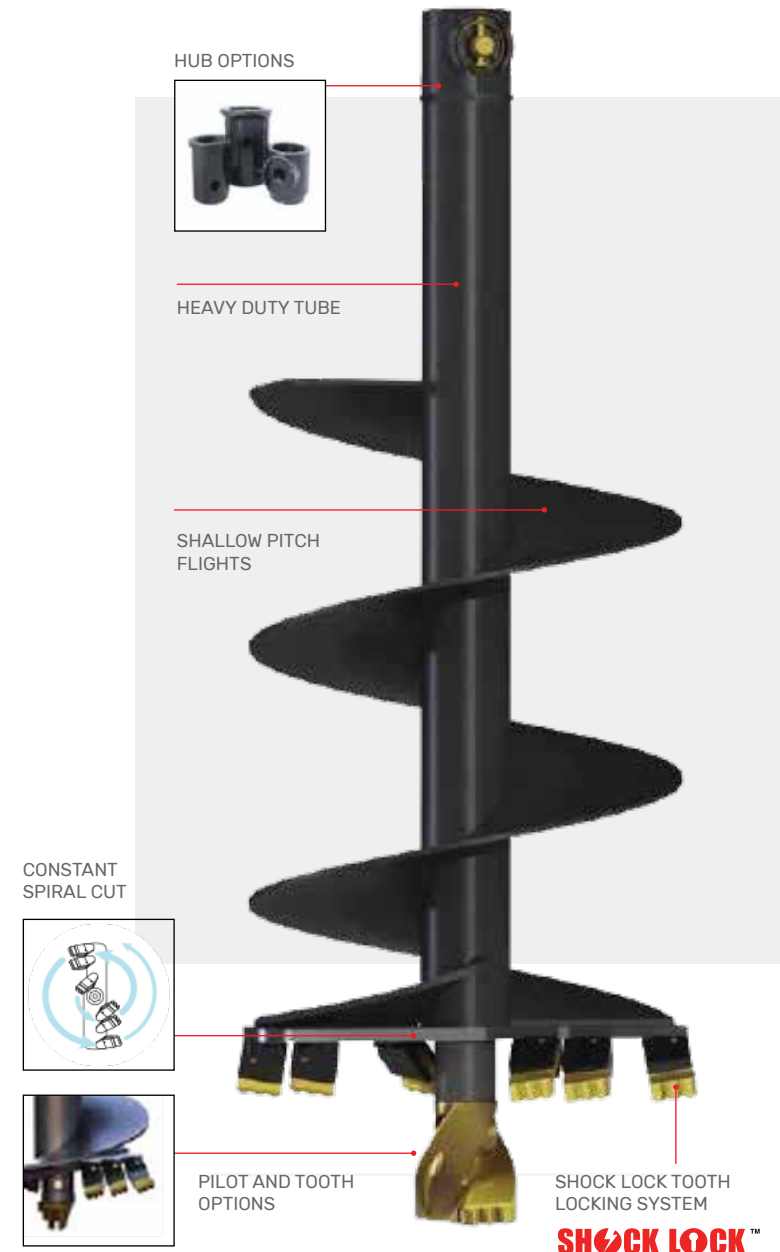
Our boring heads are designed with a Constant Spiral Cut. Teeth are located so that each makes its own fresh cut on every revolution and are angled to direct spoil towards the centre of the auger. The tooth cutting angle ensures spoil is broken up thoroughly to avoid any clogging.

SHOCK LOCK TOOTH LOCKING SYSTEM

Are you tired of losing your teeth down the hole? With our patented Shock Lock™ Tooth Locking System loss is now a thing of the past. The simple but effective locking pin holds teeth secure in both directions. This is guaranteed by a lifetime parts replacement warranty.

PILOT AND TOOTH OPTIONS

Auger Torque Augers are offered with many different tooth and pilot options to suit your specific need. For example in the S4 range we offer up to eight different combinations and we have the know-how to help you select the optimal configuration.



AUGERS



PA Augers
HEAVY DUTY

up to 2.4m diameter,
2.3m overall length



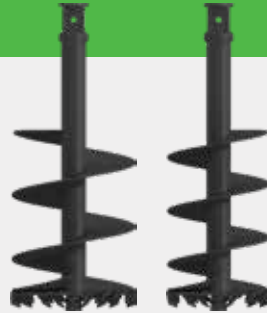
S6 Augers
HEAVY DUTY

up to 1.5m diameter,
1.85m overall length



S5 Augers
MEDIUM DUTY

up to 1.2m diameter,
1.5m overall length



S4 Augers
LIGHT DUTY

up to 900mm diameter,
1.2m overall length

TOOTH OPTIONS

S4 Earth



S4 Tungsten



S5/6 Tungsten



S4 Rock



S6 Rock



ACCESSORIES



MIXER BOWL

Drill your holes and refill them with concrete, all with one attachment



STUMP PLANER

Drill holes in wood or drill multiple holes and remove stumps



LOG SPLITTER

Nifty extra adds the ability to split logs and wood with a drive unit



Demco Plate Compactors

The DEMCO plate compactor range is strongly built with angled shock absorbing rubbers for longer life and better carrier protection. The oil bath housing provides permanent lubrication for the high quality, double row, spherical roller bearings. These support the eccentric unit that provides the impressive power. An in-built flow controller, pressure relief and anti-cavitation valves protect the Permco hydraulic motor and make for a simple, two hose connection. No motor case drain required when connected to a rock breaker circuit.

The DEMCO Plate Compactors are supplied complete with hoses and the top bracket to suit any excavator.

VALVE PACKAGE

- › Flow Control Valve regulates oil flow to the motor for preventing overspeed
- › Pressure Relief Valve for protecting the circuit
- › Make-up Check Valve for preventing cavitation

VERSATILE MOUNTING

- › Flat top frame allows for installation of any lugging adapter plates

OIL BATH

- › Permanent lubrication of the bearing. No external greasing is necessary

SHAKER ROLLER BEARING

- › Self-aligning double row spherical roller bearing for long service life

HEAVY DUTY GEAR MOTOR

- › Cast iron body gear motor with standard splined shaft and high pressure motor seals

OFFSET RUBBER MOUNTING

- › Offset spring brackets for better force distribution & long life of rubber springs

NARROW PLATE WIDTHS

- › Narrow plate widths are perfect for compacting trenches.

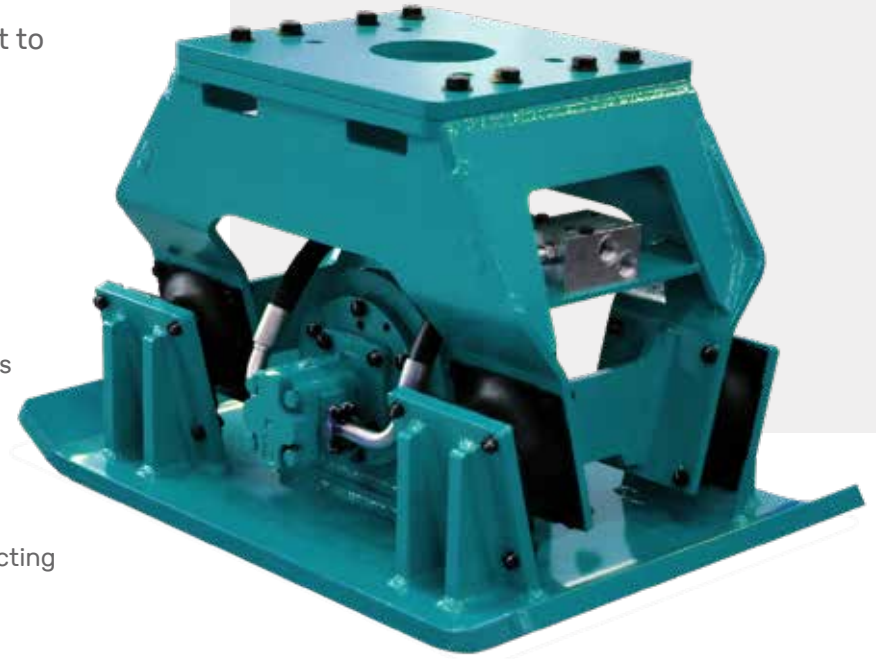


PLATE COMPACTORS



DMV04-34
200kg weight to suit 1.5-3 ton excavators

DMV08-67
350kg weight to suit 4-10 ton excavators

DMV16-108
670kg weight to suit 12-20 ton excavators

DMV24-173
985kg weight to suit 20-36 ton excavators



ACCESSORIES



POST RING



AUGER MOUNTING



ROCK SPIKE

Hydraulic Breakers

DEMCO's premium range of rock breakers are the result of 40 years experience in rock breaker design and manufacturing along with working in the hardest rock and the most difficult excavation conditions. The focus of the design process has been to improve performance whilst reducing power requirements from the excavator, resulting in lower fuel consumption than other brands. DEMCO achieve this with uniquely designed piston which requires less input power but high impact energy. With a range of breakers from 100kg to 7ton and supported by the largest attachments factory in the world manufacturing over 90% of parts in house, DEMCO - the breaking power of the world.

BLANK FIRE PROTECTION

- › Hydraulic Blank Fire Protection

BETTER FUEL ECONOMY

- › Lower Operating Pressure for Better Fuel Economy

HEAVY DUTY HOUSING

- › Folded corners give higher strength and excellent sound control

CARRIER PROTECTION

- › DEMCO hydraulic breakers also offer extra protection of your excavators due to their innovative mono block and rounded cell; noise reduction; single part cylinder and super shock absorber elements.

EXCELLENT POWER TO WEIGHT

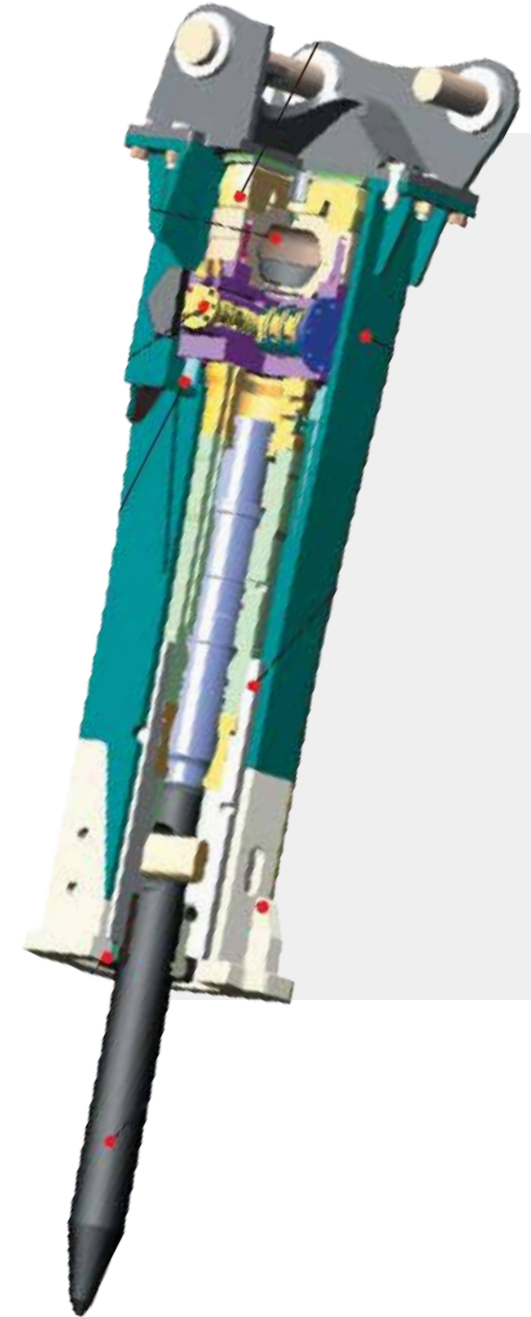
- › Based on unique technology and quality, the range of Demco hydraulic breakers offer the best tools for demolition, mining, quarrying and public works thanks to their unrivalled performance/weight ratio.

DEMCO GAS TYPE HYDRAULIC BREAKERS

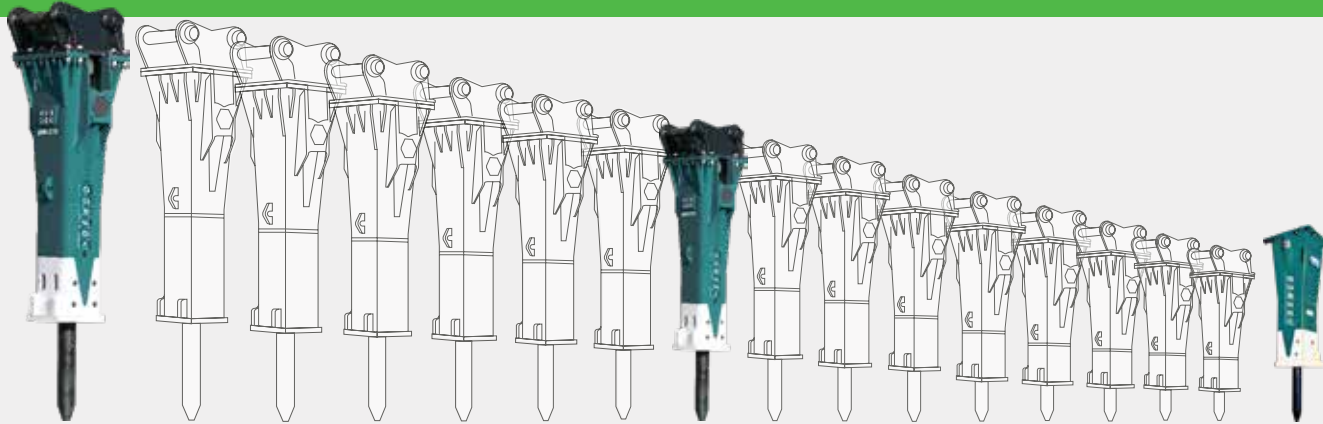
- › This type of hydraulic breaker generates impact energy from the carrier provided hydraulic pressure and a nitrogen gas pressure accumulator, working together at the top of the piston. Gas type breakers provide effective power and performance at an economic investment. They can be operated at a higher back pressure than a hydraulic type breaker.

DEMCO HYDRAULIC TYPE BREAKERS

- › This type of breaker generates impact energy only by hydraulic pressure. There is no gas chamber at the top of piston, however there is a hydraulic accumulator. The hydraulic accumulator regulates the pressure in the hydraulic circuit to prevent oil pulsation, storing hydraulic energy for use at time of impact. DEMCO hydraulic type breakers provide high class performance with lower service requirements, better carrier protection and easy operation for the owner and operator.



HYDRAULIC ROCK BREAKER



DMB705

6,900kg weight to suit
60-100 ton excavators

DMB255

2,500kg weight to suit
29-40 ton excavators

DMB95

900kg weight to suit
9-15 ton excavators

DMB11

120kg weight to suit
1-3 ton excavators

ACCESSORIES



AUTO LUBE



UNDER WATER



POST TOOL



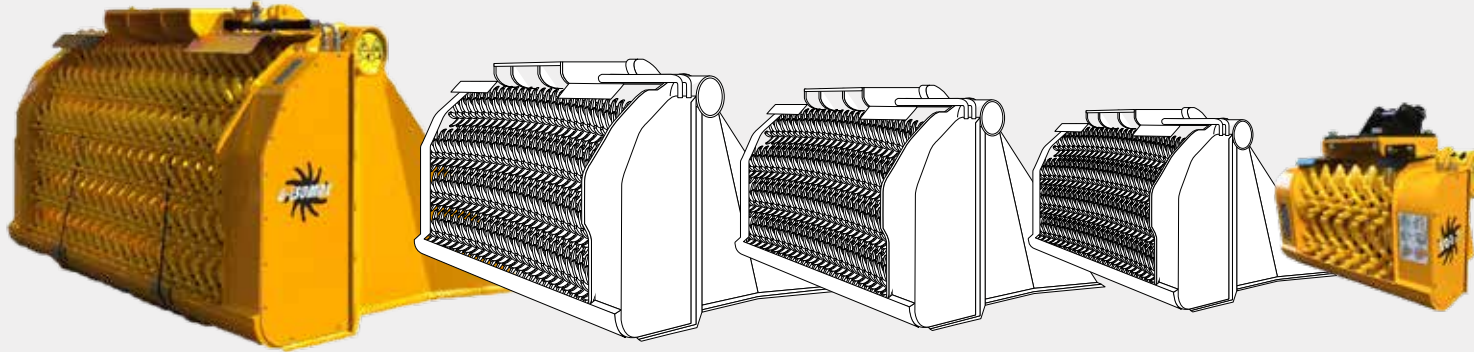
Screening Buckets

Gyru-Star Screening Buckets are the world's most affordable screening solution available. These units are extremely well made and require low or zero maintenance. These buckets provide a mobile solution for screening soil and can connect to any excavator or loader no matter how small. They offer very efficient and fast screening with the polyurethane star screening system allowing your waste to be quickly turned into valuable soil or backfill material. A lot of product development has gone into creating a bucket that has the best throughput whilst requiring no maintenance. Other options of heavy-duty buckets are available.

- › Zero Maintenance driveline with sealed bearings and carbon, self-adjusting drive belts.
- › Polyurethane stars create less wear and very quiet operation.
- › Integrated lower rotor protection protects the stars.
- › Optimized rotor position for maximized throughput.
- › Strong bucket design with a double skin floor and two drive line cavities.
- › Rotating stars are capable of processing damp material and help to aerate.
- › Heavy duty rock buckets and vibrating buckets are available to suit all products.



SCREENING BUCKETS



6-150MAX

1450Kg weight
1.6m³ volume
To suit 20-30ton

4-150HDX

860Kg weight
0.6m³ volume
To suit 13-18ton

3-100HE

360Kg weight
0.23m³ volume
To suit 4-6ton

2-50E

155Kg weight
0.06m³ volume
To suit 1-2ton



OPTIONS



Loader and skidsteer mount options



Multivex Vibrating Screening Buckets



Cobra Heavy Duty Screens with Rotor Options

Demolition & Recycling

Earthworm recognize that demolition and recycling brings some extremely severe conditions and is hard on gear. We hold and distribute a large range of demolition and recycling attachments that are the world's best at withstanding the abuse and minimizing any wear and tear on the carrier machines. We utilize the strengths of a number of international manufacturers. DEMCO Multi-Processors have built an enviable reputation with their huge power and various jaw combinations. The Italian attachments giant, Mantovanibenne, is a large manufacturer with a huge range including some of the largest demolition attachments in the world. This gives us access to the most comprehensive range available in New Zealand and the ability to provide the most effective tool to suit your operation.

- › MBI Mini Pulverizers and shears are available to suit excavators right down to 1.5ton
- › DEMCO Multi-Processors have enormous power and interchangeable jaws. These Multi-Processors have proven themselves as the best units currently available in New Zealand. They are the most productive and have massive strength and excellent wear properties.
- › MBI Eagle Shears are the most efficient dedicated steel shears available.
- › A Speed-up valve is standard on all our attachments to ensure high production and extra longevity
- › All demolition attachments are manufactured from top quality certified abrasion resistant steel
- › Hydraulic Magnets, Crusher buckets, screening buckets and anything else to do with demolition is available.
- › DEMCO heavy duty Selector Grabs are a demolition spec grapple with hardox jaws and heavy duty slew rings.
- › Long reach demolition boom kits are available to convert your existing excavator to a high reach.



DEMOLITION & RECYCLING



PULVERISERS - WITH OR WITHOUT ROTATION



STEEL SHEARS



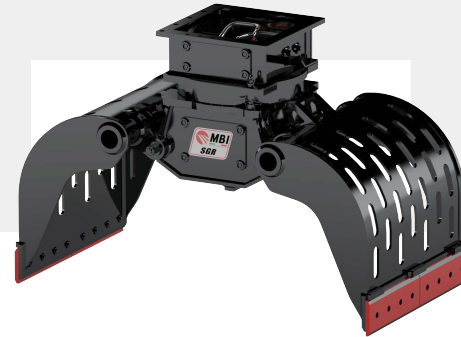
PRIMARY CRUSHERS



MULTI PROCESSORS



HYDRAULIC MAGNET



SORTING GRAB



Chain Trenchers

Using only the highest quality hydraulic motors amplified by Auger Torque's own 'bullet-proof' planetary gearbox means that our trenchers have the reliability you need and the power to ensure your trenching is carried out with ease.

HIGH QUALITY MOTOR AND GEARBOX

Using only the highest quality motors that allow flow rates of up to 150LPM and then amplified by Auger Torque's own 'bullet-proof' planetary gearbox means that our trenchers have the reliability you need and the power to ensure your trenching is carried out with ease.

EPICYCLIC GEARBOX

Torque is amplified by using the unique Auger Torque planetary gearbox. This system allows the motor's output torque to be multiplied with extreme efficiency as well as ensuring the durability and reliability you need.

ADJUSTABLE DEPTH SKID

A great feature that will make your job much easier is the precision depth control skid, which enables the operator to set the machine at up to three different trench depths.

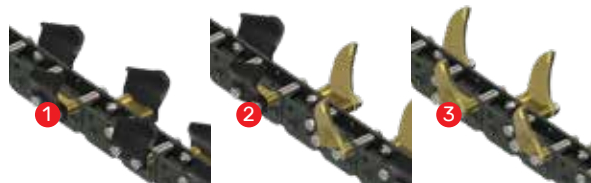
MULTIPLE TEETH COMBINATIONS

Chains are available in a number of different tooth configurations for trenching in soft ground, mixed grounds and even permafrost, allowing you to get the job done quickly.

CHAIN OPTIONS

There are a choice of 3 chain options for each machine to allow for differing ground conditions.

- 1 EARTH TEETH: Best used in soft ground like earth and clay.
- 2 COMBINATION: Best used in dry, hard or medium ground conditions.
- 3 TUNGSTEN: Best used in dry, hard ground conditions.



Hedge Trimmers

Auger Torque's low cost hedge trimmer is the perfect addition to any mini-excavator, skidsteer loader or tractor. This simple unit provides excellent cutting ability combined with the long reach of an excavator boom. Serrated cutting teeth easily cut through branches up to 40mm diameter but will also cut grass and brush. The sickle bar action is quiet and all debris drops off in a controlled manner. An optional extension bar takes the overall cutting length to an impressive 2.5m

GERMAN QUALITY

- > German made blades and cutter finger ensure a neat and accurate cut

HEAVY DUTY FRAME

- > Extreme durability from the new heavy-duty bar

INDIVIDUAL TEETH

- > All cutting teeth are replaceable individually

ADD-ON EXTENTIONS

- > 1m bolt-on extension bar is available to take the overall length to 2.5m

MOUNTING OPTION

- > Optional tractor or skidsteer frame available along with electric diverter



1M EXTENSION BAR



TRACTOR OR SKIDSTEER FRAME



INDIVIDUALLY REPLACEABLE TEETH AND FINGERS

Mulchers

The newly released mulcher from Auger Torque is a game changer! Available to fit both a skidsteer or excavator and interchangeable between both units with the bracket being able to stay on the mulcher. The units come standard with a high efficiency fixed tooth drum able to mulch trees up to 250mm diameter. The drum has a quick change system with hammer and flail tooth options available. Further utilize your machinery today!

- > High efficiency fixed tooth drum standard
- > Quick release interchangeable cutting drum
- > Available in 1000 and 1500mm widths to suit 5-15ton machines
- > Pressure and flow safety valve fitted
- > Hinged debris cover can be run open or closed
- > Hidden and fully protected hydraulic motor
- > Removable Push frame available - for when fitted to skidsteers



Screw Piling

Many of Auger Torque's Earth Drills, from the robust Earth Drill 10,000 upwards, are excellent tools for screw pile installation due to their high levels of torque and range of rotational speed. The massive XHT Series units are specifically designed and ideally suited to foundation screw pile applications. The over-engineered epicyclic planetary gearbox multiplies the motor output with extreme efficiency as well as ensuring maximum durability and reliability.

- > Non-Dislodgement Shaft guarantees the shaft will never fall out making for a safer work environment.
- > Integral gear oil cooling system designed for long duty cycles
- > The high quality output shaft bearings are 50% larger than the nearest competitor
- > As with the Earth Drill range, Auger Torque only use the highest quality hydraulic motors
- > Excellent value for money unit
- > Backed up by the industry's best warranties
- > Compatible with Auger Torque's alignment monitor and Torque Monitoring Devices



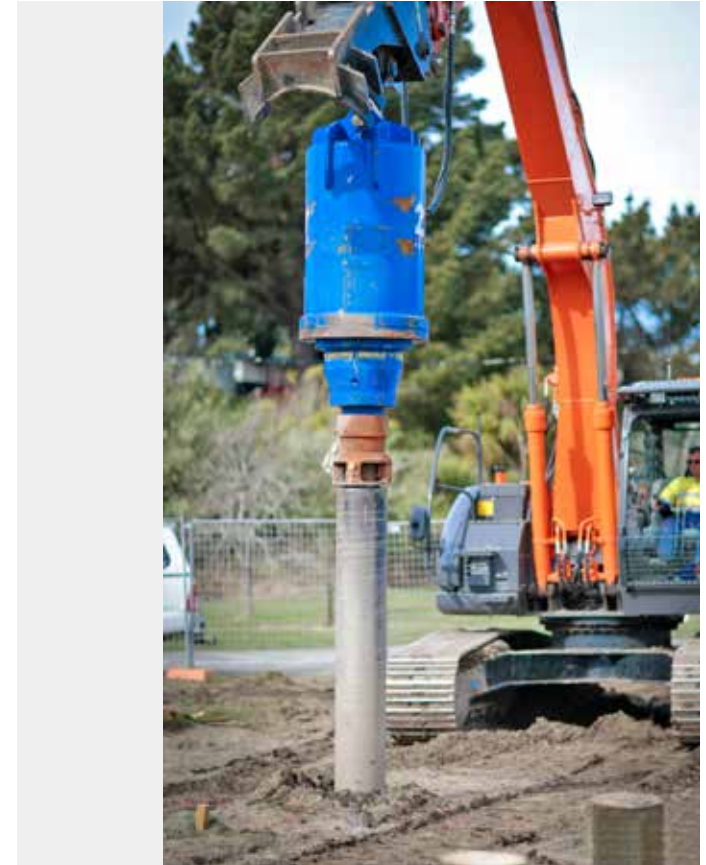
ALIGNMENT MONITOR



**TORQUE MONITORING
OPTIONS**



CRADLE HITCH



Skidsteer Attachments

Earthworm has access to a large range of skidsteer attachments from a number of highly regarded manufacturers. All of the options have one thing in common – they are all designed to increase the versatility of your machine. All units are also available to fit a tractor quick hitch.



4 IN 1 BUCKETS



ROCK GRAPPLE BUCKETS



ROCK SIEVE BUCKETS



ROOT GRAPPLE RAKE



STANDARD GP BUCKETS



GRADER BLADE



ROAD MILL/ STABILISER



GUIDED BOX BLADE



FLAT FLOOR GRAPPLE BUCKET



LANDSCAPE RAKE



PALLET FORKS



EXTREME ROOT BUCKET



POWER ANGLE BROOM



BUCKET BROOM



VIBRATING ROLLER

Grapple Saws

Vosch Grapples are exceptionally strong and robust due to their patented grapple kinematics and the use of high quality steel. The unmatched torque features a special turntable with 4 rotation motors for exceptional torque and holding power. Units in stock to suit all mechanical arborists with saw units attached. These units have a unique saw bar for ideal strength and feature a heavy duty 3/4" chain. Vosch grapple saws are extremely safe with no chain shot events ever recorded.

Discover all the benefits of Vosch Grapples, including:

- > HD Saw units with 3/4 chain
- > Incredible slew torque with 4x rotation motors
- > Optional head angles
- > Special rake design with 7 teeth
- > Position, grab and hold
- > The highest quality materials



GRAPPLES
STANDARD AND HD



SAW UNITS



Rotadairon

Rotadairon offers Soil Renovators for the perfect seed bed in one pass. With reverse rotation blades, screening rods, grade blade and packer roller they are able to perform several functions at once. With several sized machines capable of working depths from 5" to over 12", the Soil Renovators provide a firm, level and clean finish to the seed bed. The screening rods are the secret that allows the machine to sort and bury material. These rods bury about 30 tons of stones per hour making them ideal for seed bed preparation.

- > Perfect Seed bed in one pass
- > Stone burying up to 6" stones depending on model
- > Lower speed non-panning blades
- > Patented Hydraulic Torque Limiters
- > Strong design with a double hull frame
- > Oversize, heavy duty gearboxes
- > Large range to suit mini-loaders, skidsteers and tractors from 15-300Hp



NOTES





www.earthworm.co.nz

Freephone: 0508 21 22 23

Email: sales@earthworm.co.nz

Auckland

26A Ash Road, Wiri,
Auckland 2104

Christchurch

7 Washbournes Road,
Wigram 8042

Southland

7 Saleyard Road,
Gore 9772

Best in dirt